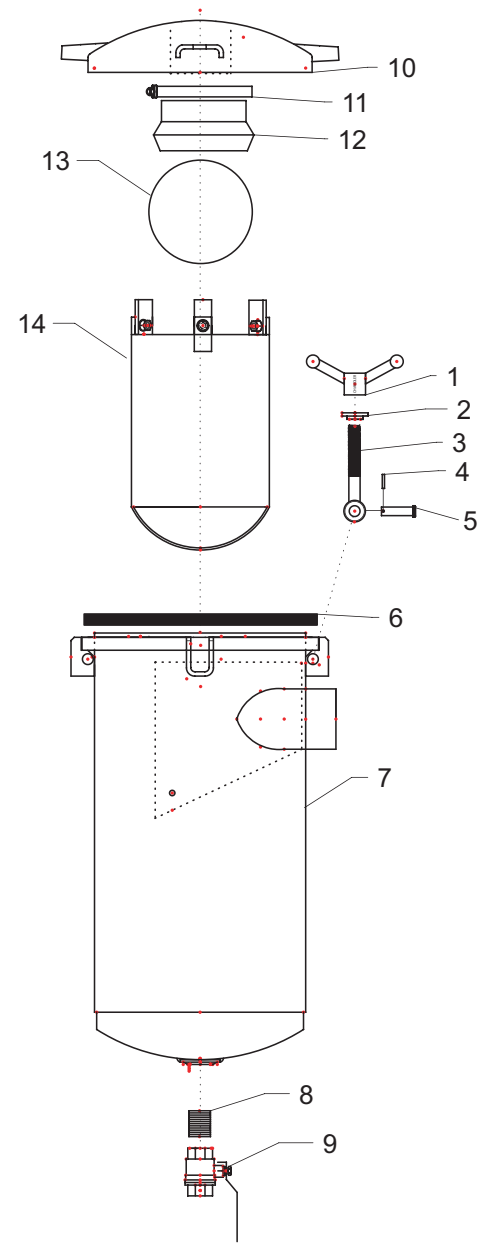
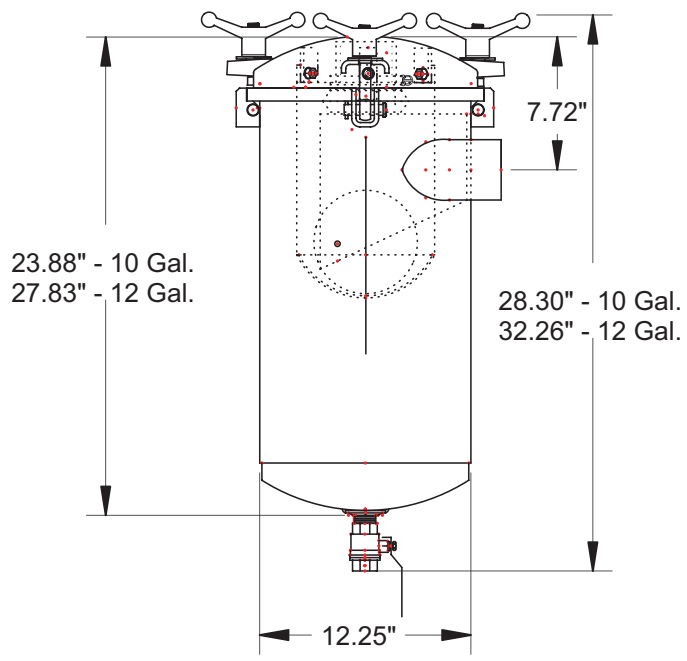
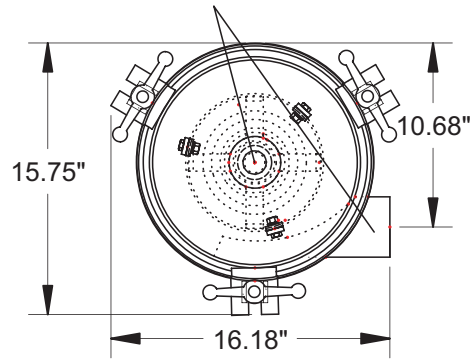


# 10 & 12 GALLON SECONDARY SHUTOFF



See Part Numbers  
Below For Port Sizing



#	PART#	DESCRIPTION	LIST PRICE
REPLACEMENT PARTS			
1	1010-0001	5/8" WING NUT	
2	1010-0003	ZINIC MANWAY WASHER	
3	1021-0000-B	5/8" X 5" EYEBOLT	
4	1021-0000-R	ZINC PLATED ROLL PIN	
5	1021-0000-P	ZINC CLEVIS PIN	
6	1019-0009	GASKET FOR 12" PRIMARY	
7	1008-1000	LOWER HALF FOR 10 GAL SEC, 2"	
	1008-1001	LOWER HALF FOR 10 GAL SEC, 3"	
	1008-1002	LOWER HALF FOR 10 GAL SEC, 4"	
	1008-1003	LOWER HALF FOR 12 GAL SEC, 2"	
	1008-1004	LOWER HALF FOR 12 GAL SEC, 3"	
	1008-1005	LOWER HALF FOR 12 GAL SEC, 4"	

#	PART#	DESCRIPTION	LIST PRICE
REPLACEMENT PARTS			
8	1001-0020	1" CLOSE NIPPLE	
9	1037-0001	1" BRASS BALL VALVE	
10	1014-2113	12" LID ASSY (GASKET IN NECK)	
11	1090-0001	HOSE CLAMP 3"	
12	1090-0000	3" RUBBER SEAT	
13	1076-0000	6" STAINLESS STEEL FLOAT BALL	
14	1014-0101	8" SS. BALL CAGE	