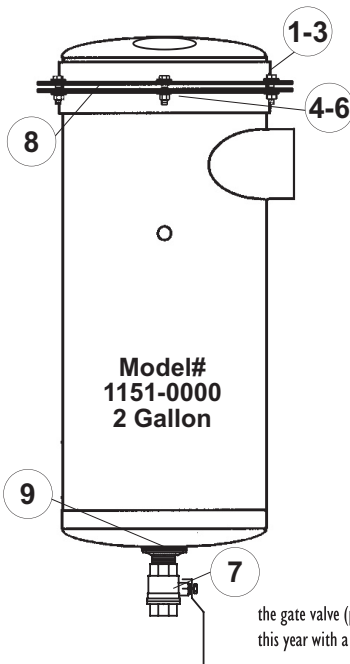


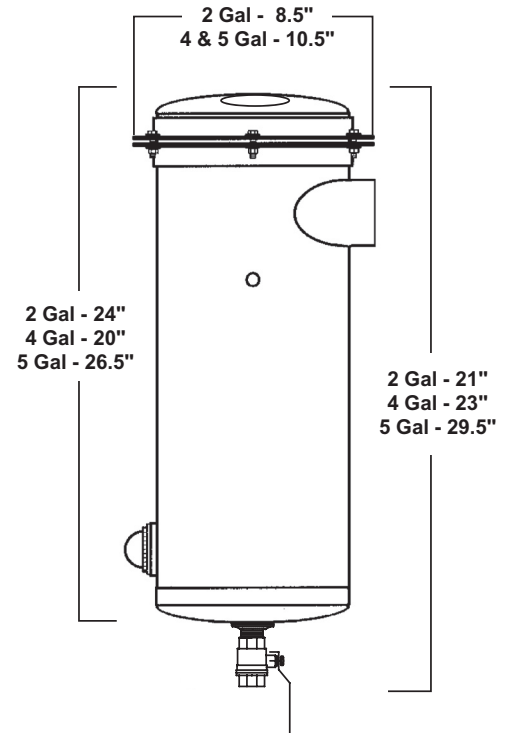
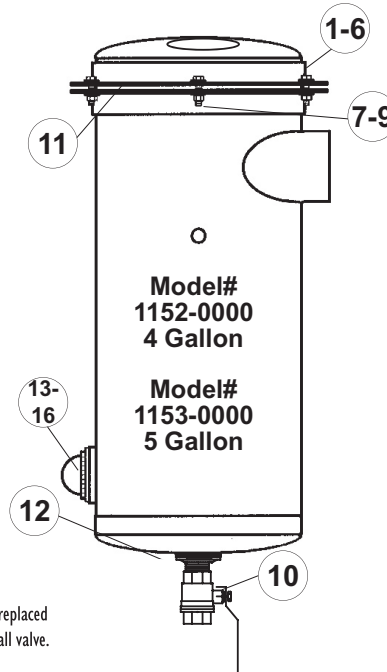
2 GALLON SECONDARY

#	PART#	DESCRIPTION
REPLACEMENT PARTS		
1	1000-0100	1/4" LOCK NUT
2	1000-0108	1/4" FLAT WASHER
3	1000-0125	1/4" x 1 1/4" CAP SCREW
4	1090-0000	3 1/2" RUBBER SEAT (2LBS)
5	1090-0001	STAINLESS STEEL CLAMP (.06LBS)
6	1075-0000	4" STAINLESS STEEL BALL (1LBS)
7	1037-0001	1" BRASS BALL VALVE (1LBS)
8	1151-0100	GASKET FOR 2 GALLON SECONDARY
9	1001-0020	1" CLOSE NIPPLE

#	PART#	DESCRIPTION
REPLACEMENT PARTS		
OPTIONAL FITTINGS		
	1055-0038	1/4" STREET ELBOW
	1025-0001	4" VACUUM/PRESSURE GAUGE
	1026-0000	2 1/2" LIQUID FILLED GAUGE
	1027-0000	4" LIQUID FILLED GAUGE



the gate valve (pictured) has been replaced this year with a more popular 1" ball valve.



4 & 5 GALLON SECONDARY

#	PART#	DESCRIPTION
REPLACEMENT PARTS		
1	1000-0101	5/16" LOCK NUT
2	1000-0109	5/16" FLAT WASHER
3	1000-0132	5/16" x 1 1/4" CAP SCREW
4	1000-0118	3/8" LOCK WASHER
5	1000-0138	3/8" X 1" CAP SCREW
6	1000-0168	3/8" HEX NUT
7	1090-0000	3 1/2" RUBBER SEAT (2LBS)
8	1090-0001	STAINLESS STEEL CLAMP (.06LBS)
9	1075-0000	4" STAINLESS STEEL BALL (1LBS)
10	1037-0001	1" BRASS BALL VALVE (1LBS)
11	1153-1000	GASKET FOR 4 & 5 GALLON
12	1001-0020	1" CLOSE NIPPLE

#	PART#	DESCRIPTION
REPLACEMENT PARTS		
13	1093-0000	2" SIGHT EYE ASSEMBLY
14	1093-0002	2" GLASS & O-RING FOR 1093-0000
15	1093-0004	2" WELDMENT BASE FOR 1093-0000
16	1093-0006	2" O-RING FOR 1093-0000
OPTIONAL FITTINGS		
	1055-0038	1/4" STREET ELBOW
	1025-0001	4" VACUUM/PRESSURE GAUGE
	1026-0000	2 1/2" LIQUID FILLED GAUGE
	1027-0000	4" LIQUID FILLED GAUGE