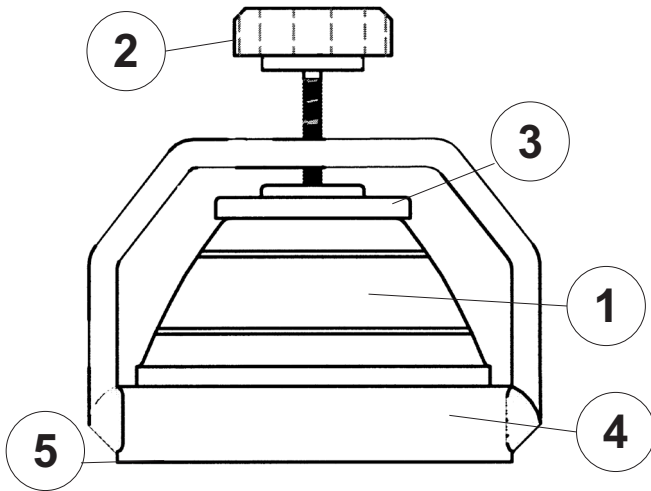
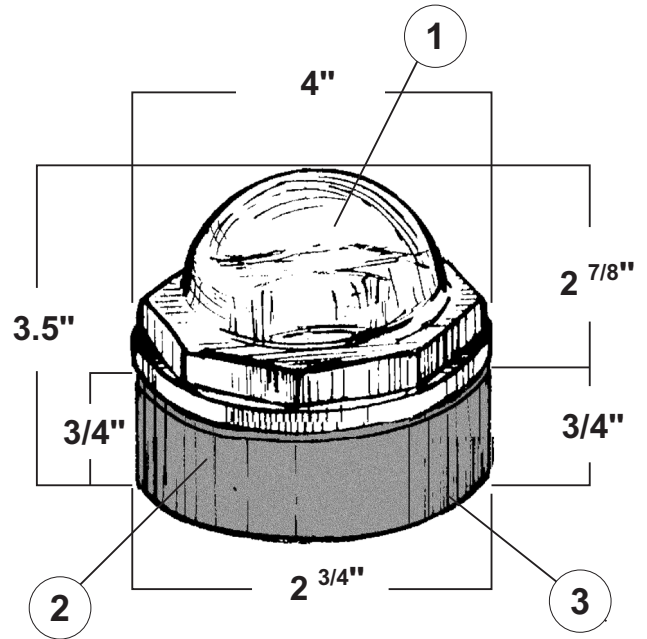


2", 3" & 5" vacuum tank **SIGHT EYES**

2" & 3" SIGHT EYE SPEC SHEET

#	PART#	DESCRIPTION
REPLACEMENT PARTS		
1	1093-0002	2" GLASS AND O-RING
1	1093-0003	3" GLASS AND O-RING
2	1093-0004	2" WELDMENT BASE
2	1093-0005	3" WELDMENT BASE
2	1093-0010	2" STAINLESS STEEL WELDMENT BASE
2	1093-0011	3" STAINLESS STEEL WELDMENT BASE
3	1093-0006	2" O-RING
3	1093-0007	3" O-RING



5" STEEL SIGHT EYE SPEC SHEET

#	PART#	DESCRIPTION
REPLACEMENT PARTS		
1	1092-0001-NS	NEW STYLE 5" SIGHT EYE GLASS BOWL (.5LBS)
2	1092-0002	5" SIGHT EYE HAND WHEEL (.25LBS)
3	1092-0003-NS	NEW STYLE 5" SIGHT EYE PLATE (.29LBS)
4	1092-0004	5" SIGHT EYE STEEL WELDMENT (3LBS)
5	1083-0000	5" SIGHT EYE GASKET (.06LBS)

5" ALUMINUM SIGHT EYE SPEC SHEET

#	PART#	DESCRIPTION
REPLACEMENT PARTS		
1	1092-0001-NS	NEW STYLE 5" SIGHT EYE GLASS BOWL (.5LBS)
2	1092-0002	5" SIGHT EYE HAND WHEEL (.25LBS)
3	1092-0003-NS	NEW STYLE 5" SIGHT EYE PLATE (.29LBS)
4	1092-0026	5" ALUMINUM WELDMENT (1.5LBS)
5	1083-0000	5" SIGHT EYE GASKET (.06LBS)

