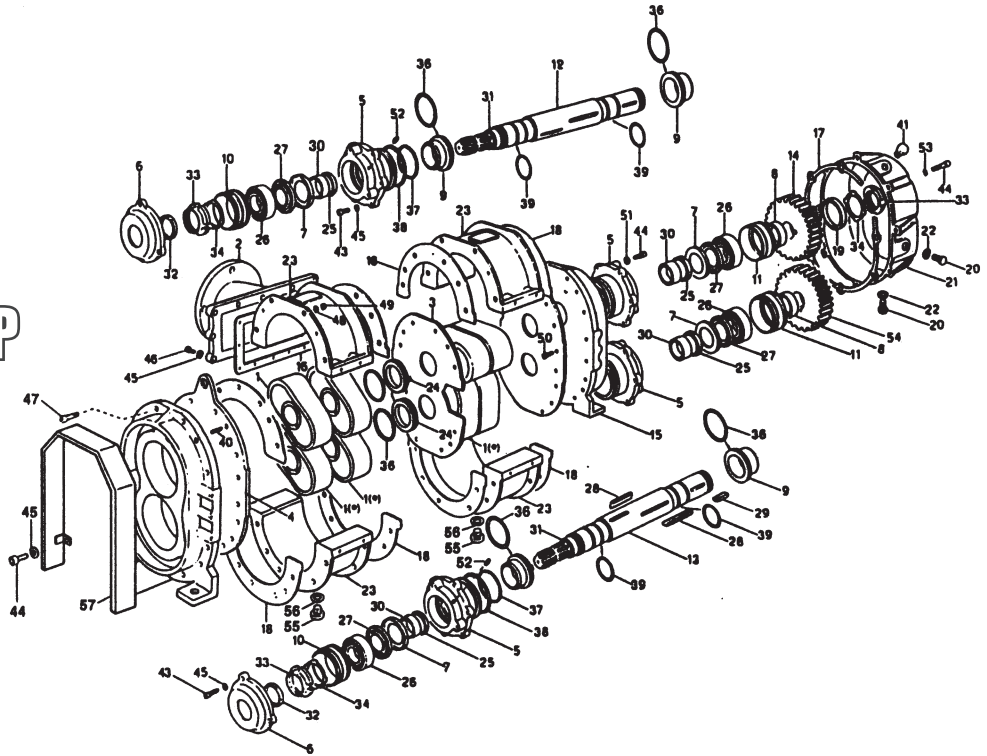


JUROP VL27

POSITIVE DISPLACEMENT ROTARY LOBE TRANSFER PUMP

PARTS LAYOUT



NOTES:

Pos.	Code	Qt.	Denomination
(*) 1	15036 - 014 - 00	8	End piston
2	15280 - 017 - 00	2	Connection
3	16100 - 092 - 00	1	Middle flange
4	16100 - 093 - 00	2	Wearproof plate
5	16105 - 047 - 00	4	Bearing flange
6	16105 - 048 - 00	2	Front flange
7	16240 - 090 - 00	4	Spacer
8	16240 - 091 - 00	2	Spacer
9	16260 - 003 - 00	4	Bushing
10	16260 - 001 - 00	2	Front bear. bushing
11	16260 - 002 - 00	2	Rear bear. bushing
12	16500 - 081 - 00	1	Upper axle
13	16500 - 080 - 00	1	Lower axle
14	16510 - 025 - 00	1	Gear
15	16625 - 001 - 00	2	End plate
16	16806 - 057 - 00	2	Connection gasket
17	16807 - 035 - 00	1	Oil tank gasket
18	16807 - 050 - 00	8	Housing gasket
19	16240 - 099 - 00	2	Spacer
20	16840 - 000 - 00	2	Oil drain plug
21	16871 - 006 - 00	1	Oil tank
22	16851 - 002 - 00	2	Washer
23	16875 - 032 - 00	4	Pump housing
24	16240 - 098 - 00	2	Spacer
(*) 25	4022 - 2001 - 06	4	Seal ring
26	4023 - 1005 - 48	4	Bearing 62092RS
27	4023 - 1180 - 00	4	Protection screen
28	4026 - 5035 - 05	8	Key
29	4026 - 5015 - 00	2	Key
30	4023 - 1300 - 35	4	Bushing 45x55x22

Pos.	Code	Qt.	Denomination
31	4023 - 1300 - 09	2	Bushing 35x40x17
32	4022 - 2000 - 27	2	Seal ring
33	4026 - 3065 - 09	4	Selflocking ring M45
34	4026 - 3063 - 09	4	Safety ring
35			
36	4022 - 2002 - 42	8	OR 3256
37	4022 - 2002 - 36	4	OR 4275
38	4022 - 2002 - 38	4	OR 4350
39	4022 - 2002 - 12	8	OR 2162
40	4026 - 4100 - 13	12	Pin ø8x36
41	4026 - 9100 - 01	1	Plug
42			
43	4026 - 1204 - 05	30	Screw TCEI M8x25
44	4026 - 1204 - 03	17	Screw TCEI M8x20
45	4026 - 3507 - 06	61	Spring washer ø8,4
46	4026 - 1028 - 08	28	Screw TE M8x30
47	4026 - 1205 - 10	24	Screw TCEI M10x50
48	4026 - 3506 - 08	24	Spring washer ø10,5
49	4026 - 3008 - 06	24	Nut M10
50	4026 - 1215 - 04	8	Screw T. BEI M8x18
51	4026 - 3560 - 02	6	Washer ø24x9x2
52	4026 - 1362 - 05	4	Set screw M6x12
53	4026 - 3509 - 09	8	Lock washer
54	16510 - 034 - 00	1	Gear
55	4026 - 9110 - 03	2	Drain plug 1/2
56	4026 - 3590 - 03	2	Washer ø21
57	16420 - 003 - 00	1	Protection
58	16100 - 112 - 00	2	In/outlet flange Ø
59	4026 - 7130 - 09	2	Manifold flange
60	16806 - 061 - 00	2	Manifold flange gasket

(*) Specify if NBR - VITON

(*) Axle for electric drive