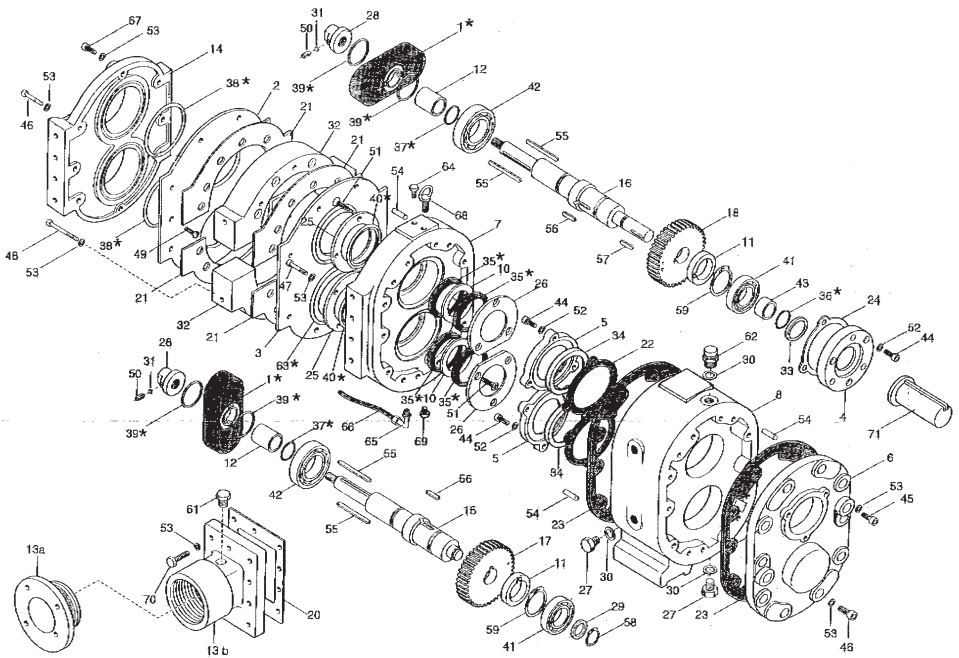


JUROP VL2

POSITIVE DISPLACEMENT ROTARY LOBE TRANSFER PUMP

PARTS LAYOUT



#	PART#	DESCRIPTION	#	PART#	DESCRIPTION
1	1503602600	Lobe VL2-VL4 NBR	47	4026120411	Screw 8.8M 8x55
2	1610017000	Lid wear plate VL2-VL4	48	4026120416	Screw 8.8M 8x100
3	1610017100	Seal flange wearplate VL2-VL4	49	4026121905	Screw 10.9M 6x16
4	1610017200	Front shaft flange VL2-VL4	50	4026135602	Dowel M 8x8 AISI 304
5	1610507200	Seal flange VL2-VL4	51	4026155301	Screw M4x8 AISI 304
6	1610507300	End plate VL2-VL4	52	4026350503	Grower washer 6
7	1612502600	Seal housing VL2-VL4	53	4026350505	Grower washer 8
8	1612502700	Transmission housing VL2-VL4	54	4026401208	Pin 6x24
10	1624014900	Seal spacer VL2-VL4	55	4026500804	Key 8x7x28
11	1624015000	Gear Spacer VL2-VL4	56	4026500906	Key 10x8x36
12	1624015100	Bushing 45x35x57 VL2-VL4	57	4026500807	Key 8x7x40
13a	1627504200	Round manifold flange DN50 VL2-VL4	58	4026510018	Seeger ring E20 UNI 7435
13b	1627503500	Square manifold flange DN50 VL2-VL4	59	4026510212	Seeger ring E36x2.5 UNI 7436
14	1640500600	Front lid VL2-VL4	61	4026905002	Plug 1/4"
15	1650011600	Lobe shaft VL2	62	4026910001	Vent plug 3/8"
16	1650011800	Drive shaft VL2	63	4022200292	O-ring 2325
17	1651004800	Gear VL2-VL4	64	4026905001	Plug 1/8"
18	1651004900	Gear VL2-VL4	65	4027421206	Connection 900 1/8" x 6
20	1680607400	Manifold gasket DN50 VL2-VL4	66	4021102005	Rilsan pipeline 4x6
21	1680706200	Pump housing gasket VL2-VL4	67	4026120406	Screw M 8x30
22	1680706300	Seal gasket VL2-VL4	68	4026190100	Eyebolt M10
23	1680706400	Transmission housing gasket VL2-VL4	69	4026107206	Screw M 10x16
24	1680706500	Shaft flange gasket VL2-VL4	70	4026107111	Screw M 8x30
25	1681006400	Front keep plate VL2-VL4 AISI 304	71	4029602609	Shaft protection 25
26	1681200000	Rear keep plate VL2-VL4			
27	1684000000	Plug 3/8"			VITON Variants
28	1684002200	Lobe bolt AISI 304	1	1503602600	Lobe VL2-VL4 VITON
29	1685003900	Washer VL2-VL4	35	4022200104	Lip seal 45x72x10 VITON
30	1685100200	Flat Washer 17x22x1.5	36	4022200214	O-ring 2087 VITON
31	1685200000	Brass Washer VL2-VL4	37	4022200215	O-ring 2125 VITON
32	1687505300	Pump housing VL2	38	4022200242	O-ring 3256 VITON
33	4022200003	Shaft seal 30x40x7	39	4022200291	O-ring 2150 VITON
34	4022200044	Seal 45x65x8	40	4022203205	Gasket 45x56x4.2 VITON
35	4022200104	Lip seal 45x72x10	63	4022200292	O-ring 2325 VITON
36	4022200214	O-ring 2087			
37	4022200215	O-ring 2125			
38	4022200242	O-ring 3256	19	1680606300	Parts Supplied upon request Manifold gasket DN50
39	4022200291	O-ring 2150	60	4026713004	Manifold counter flange UNI 2276 DN50
40	4022203205	Gasket 45x56x4.2 NBR			
41	4023110018	Bearing NJ205EC			Gasket Kits
42	4023117210	Bearing 2207 E	1892001900		Gasket kit for lobes replacement NBR
43	4023130002	Bushing 25x30x17	1892002000		Gasket kit for lobes replacement VITON
44	4026120304	Screw 8.8M 6x16	1892001700		Complete gasket kit NBR
45	4026120400	Screw 8.8M 8x12	1892001800		Complete gasket kit VITON
46	4026120408	Screw 8.8M 8x40			