

20" PRIMARY SHUTOFF WITH 6 INCH NECK

HEAVY DUTY ZINC PLATED HARDWARE

PRIMARY SHUTOFFS

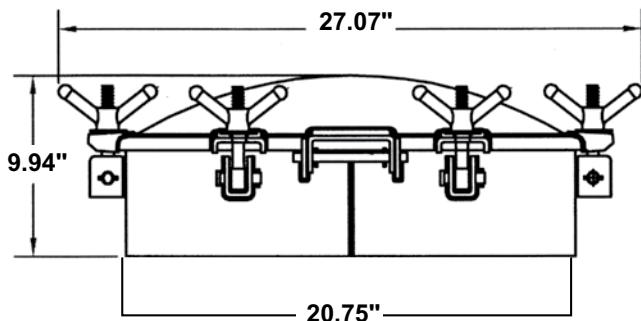
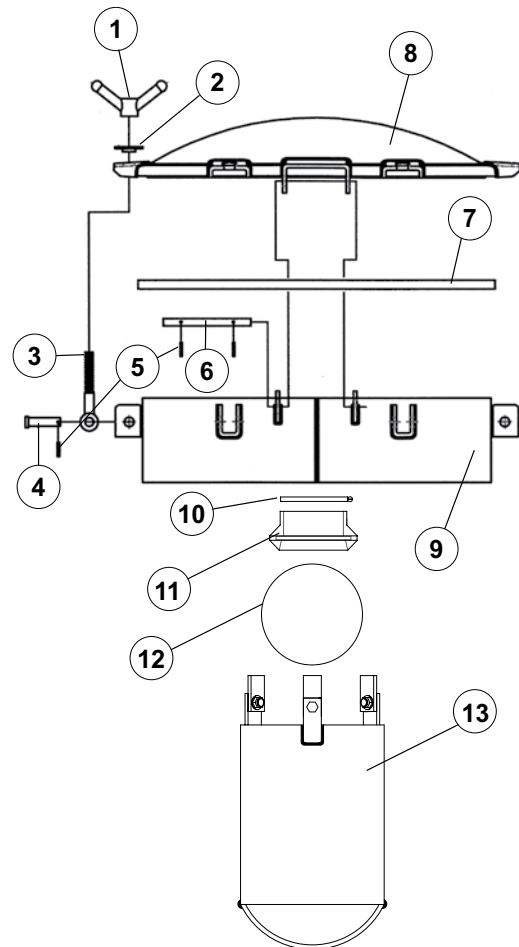


- GASKET IN THE LID DESIGN
- 3" OR 4" OPENINGS AVAILABLE
- STANDARD 6" NECK LENGTH
- 8" STAINLESS STEEL BALL CAGE ASSEMBLY
- STAINLESS STEEL FLOAT BALL

PART#	DESCRIPTION	W x H	WEIGHT
1010-0017	20" PRIMARY SHUTOFF W/6" NECK-3" OPENING, (550 CFM)	27 X 17	92LBS
1010-0018	20" PRIMARY SHUTOFF W/6" NECK-4" OPENING, (700 CFM)	27 X 17	92LBS

20" PRIMARY, 6" NECK SHUTOFF SPEC SHEET

#	PART#	DESCRIPTION
REPLACEMENT PARTS		
1	1010-0001	5/8" ZINC PLATED WING NUT (2LBS)
2	1010-0003	ZINC WASHER (.188LBS)
3	1021-0000-B	5/8" X 5" ZINC PLATED EYEBOLT (.80LBS)
4	1021-0000-P	ZINC PLATED CLEVIS PIN (.19LBS)
5	1021-0000-R	ZINC PLATED ROLL PIN (.06LBS)
6	1021-0000-HP	HINGE PIN (.44LBS)
7	1019-0011	GASKET FOR 20" MANWAY
8	1010-7001	20" MANWAY LID ASSY
9	1010-7006	20" MANWAY BASE ASSY W/6" NECK
10	1090-0001	HOSE CLAMP FOR 1090 SEAT
	1089-0002	CLAMP FOR 1089-1 SEAT
11	1090-0000	3.5" RUBBER SEAT
	1089-0001	4" RUBBER SEAT
12	1076-0000	6" STAINLESS STEEL FLOAT BALL
13	1014-0101	8" STAINLESS STEEL BALL CAGE W/STEEL TABS, 304
13	1014-0104	8" STAINLESS STEEL BALL CAGE W/S. S. TABS



www.chandlerequipment.com

Due to unforeseeable market fluctuations, prices are subject to change without notice.

