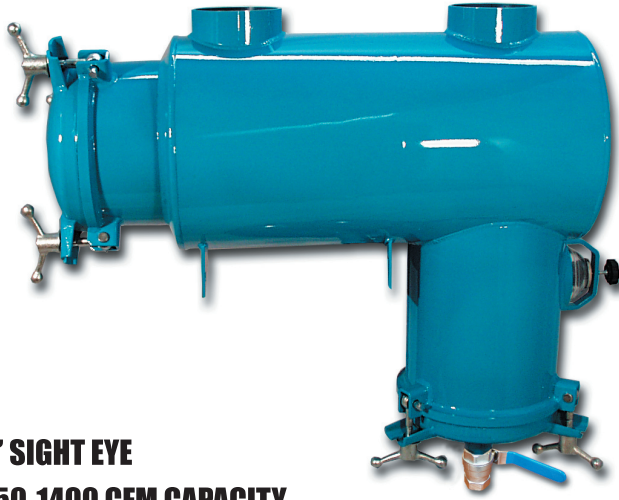
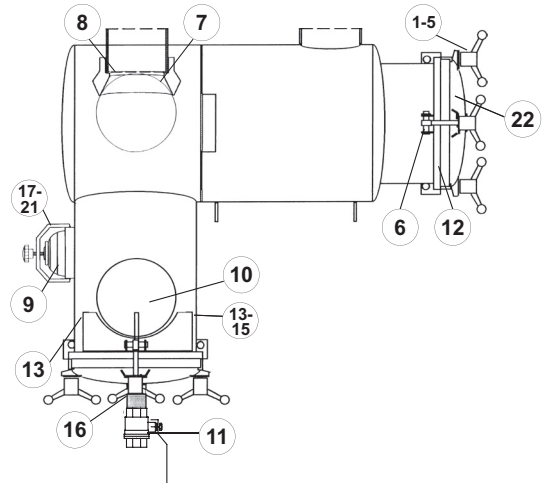
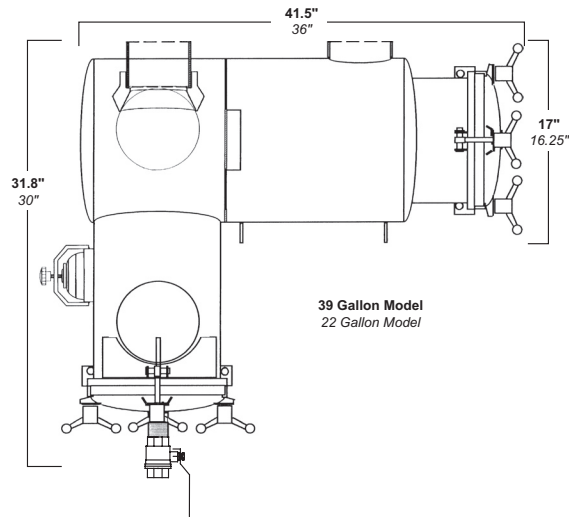


22/39 GALLON SECONDARY SHUTOFFS

PART#	DESCRIPTION	L x W x H	WEIGHT
1008-0022	22 GALLON SECONDARY SHUTOFF WITH 4" OPENING, (950 CFM)	41.5 x 18 x 30	125LBS
1008-0030	39 GALLON SECONDARY SHUTOFF WITH 6" OPENING, (1400 CFM)	45.5 x 18 x 38.75	150LBS



- **5" SIGHT EYE**
- **950-1400 CFM CAPACITY**
- **EASY ACCESS FOR QUICK CLEAN OUT**
- **HEAVY DUTY ZINC PLATED HARDWARE & 2" BALL VALVE**
- **CLAMP-ON BALL SEAT W/6" OR 8" STAINLESS FLOAT BALL**



22/39 GALLON SECONDARY SHUTOFF PARTS LIST

#	PART#	DESCRIPTION
REPLACEMENT PARTS		
1	1010-0001	5/8" ZINC PLATED WING NUT (2LBS)
2	1010-0003	ZINC WASHER (.188LBS)
3	1021-0000-B	5/8" X 5" ZINC PLATED EYEBOLT (.80LBS)
4	1021-0000-P	ZINC PLATED CLEVIS PIN (.19LBS)
5	1021-0000-R	ZINC PLATED ROLL PIN (.06LBS)
6	1021-0000-HP	HINGE PIN (.44LBS)
7	1089-0001	4" RUBBER SEAT (2LBS)
	1089-0003	6" RUBBER SEAT
8	1089-0002	SS CLAMP FOR 1089-0001
	1089-0002	SS CLAMP FOR 1089-0003 (QTY 2)
9	1092-0000	5" SIGHT EYE - STEEL (5LBS)
10	1076-0000	6" STAINLESS STEEL BALL (1LBS)
	1076-0003	8" STAINLESS STEEL BALL

#	PART#	DESCRIPTION
REPLACEMENT PARTS		
11	1042-0000	2" BALL VALVE (5LBS)
12	1019-0009	GASKET FOR HATCH
13	1000-0118	3/8" LOCK WASHER
14	1000-0138	3/8" X 1" CAP SCREW
15	1000-0168	3/8" HEX NUT
16	1053-0001	2" NPT X 2" WELD NIPPLE
17	1092-0001	5" GLASS BOWL FOR 1092-0000
18	1092-0002	5" HAND WHEEL FOR 1092-0000
19	1092-0003	5" PLATE FOR 1092-0000
21	1083-0000	5" GASKET FOR 1092-0000
22	1021-1200	12" HATCH LID ASSEMBLY