

BRASS BALL VALVES

BRASS BALL VALVES



CEI BALL VALVE

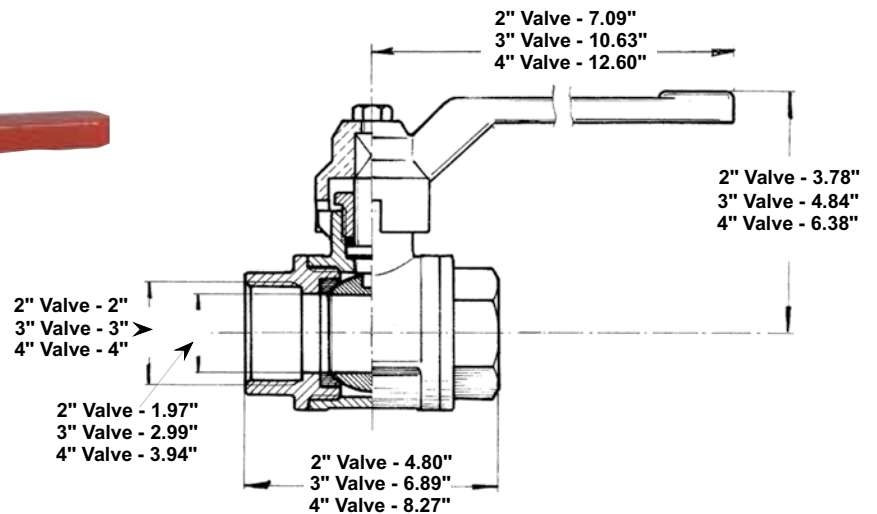
AVAILABLE IN SIZES RANGING FROM 1-4 INCHES

PART#	DESCRIPTION
1037-0001	1" BRASS BALL VALVE
1042-0000	2" BRASS BALL VALVE
1043-0000	3" BRASS BALL VALVE (600 PSI)
1044-0000	4" BRASS BALL VALVE (600 PSI)
1042-0000 MZ	2" BRASS BALL VALVE (230 PSI)
1043-0000 MZ	3" BRASS BALL VALVE (230 PSI)
1044-0000 MZ	4" BRASS BALL VALVE (230 PSI)

- **STANDARD NPT X NPT FITTINGS**
- **DURABLE BRASS CONSTRUCTION**
- **600 PSI WORKING PRESSURE**



MZ BALL VALVE



#	PART#	DESCRIPTION
REPLACEMENT PARTS		
1	1037-0100	HANDLE FOR 1" CEI BALL VALVE
1	1042-0100	HANDLE FOR 2" CEI BALL VALVE
1	1042-0001 MZ	HANDLE FOR 2" MZ BALL VALVE
2	1042-0004 MZ	TEFLON SEATS (1PR) FOR 2" BALL VALVE
1	1043-0100	HANDLE FOR 3" CEI BALL VALVE
1	1043-0009 MZ	HANDLE FOR 3" MZ BALL VALVE
2	1043-0004 MZ	TEFLON SEATS (1PR) FOR 3" BALL VALVE
1	1044-0100	HANDLE FOR 4" CEI BALL VALVE
1	1044-0009 MZ	HANDLE FOR 4" MZBALL VALVE
2	1044-0004 MZ	TEFLON SEATS (1PR) FOR 4" BALL VALVE

