

BRASS BOLTED BALL VALVES

AVAILABLE IN SIZES RANGING FROM 3-4 INCHES

**DURABLE BRASS
CONSTRUCTION**

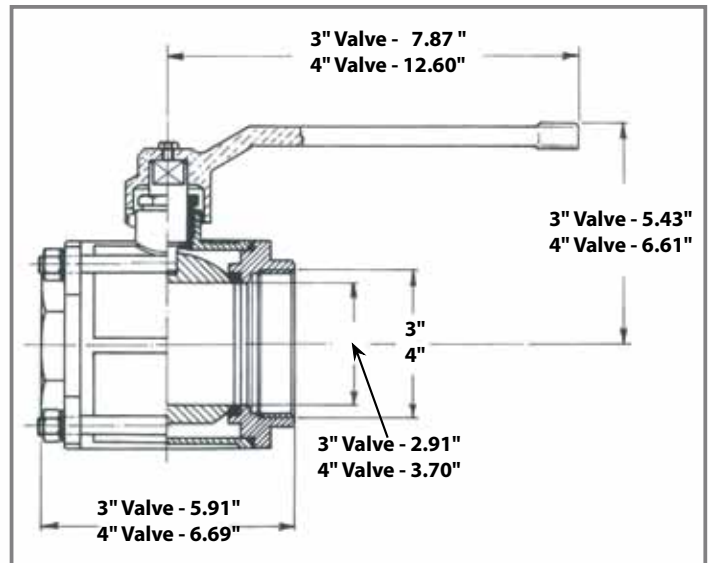
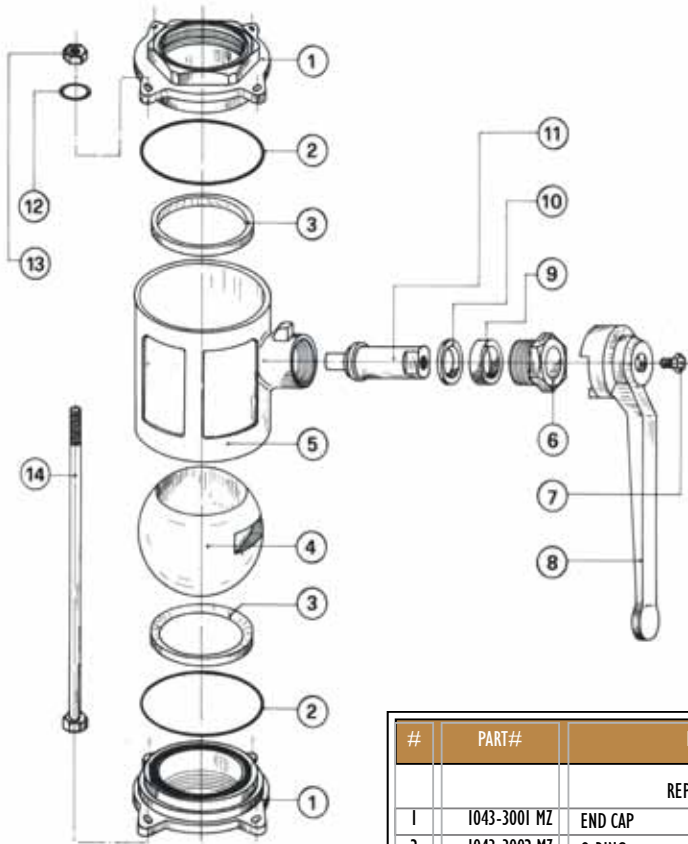
290 PSI RATING



BRASS BOLTED BALL VALVES

PART#	DESCRIPTION
1043-3000 MZ	3" BRASS BOLTED BALL VALVE, (290 PSI)
1044-4000 MZ	4" BRASS BOLTED BALL VALVE, (290 PSI)

STANDARD NPT X NPT FITTINGS



#	PART#	DESCRIPTION
REPLACEMENT PARTS		
1	1043-3001 MZ	END CAP
2	1043-3002 MZ	O-RING
3	1043-3003 MZ	TEPHLON SEAT
4	1043-3004 MZ	BALL
5	1043-3005 MZ	BODY
6	1043-3006 MZ	STEM NUT
7	1043-3007 MZ	SCREW
8	1043-3008 MZ	HANDLE
9	1043-3009 MZ	Gasket
10	1043-3010 MZ	RING
11	1043-3011 MZ	STEM NUT
12	1043-3012 MZ	WASHER
13	1043-3013 MZ	NUT
14	1043-3014 MZ	CONNECTION BOLT

#	PART#	DESCRIPTION
REPLACEMENT PARTS		
1	1044-4001 MZ	END CAP
2	1044-4002 MZ	O-RING
3	1044-4003 MZ	TEPHLON SEAL
4	1044-4004 MZ	BALL
5	1044-4005 MZ	BODY
6	1044-4006 MZ	STEM NUT
7	1044-4007 MZ	SCREW
8	1044-4008 MZ	HANDLE
9	1044-4009 MZ	Gasket
10	1044-4010 MZ	RING
11	1044-4011 MZ	STEM
12	1044-4012 MZ	WASHER
13	1044-4013 MZ	NUT
14	1044-4014 MZ	CONNECTION BOLT

