

BRASS LEVER VALVES

BRASS LEVER VALVES



QUICK OPENING LEVER ACTION

22-45 PSI RATING

AVAILABLE IN SIZES RANGING FROM 2-6 INCHES

DURABLE BRASS CONSTRUCTION

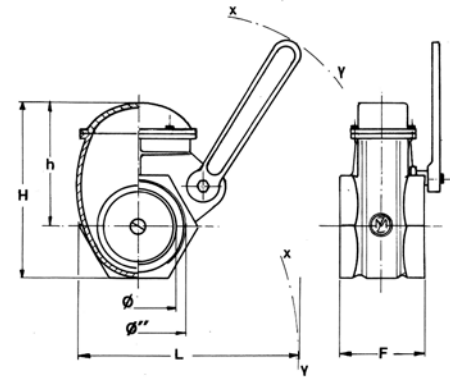


4-BOLT FLANGE X FEMALE NPT

PART#	DESCRIPTION	WEIGHT
1039-0000 MZ	2" BRASS LEVER VALVE, FM NPT X FM NPT (45 PSI)	4 LBS
1040-0000 MZ	3" BRASS LEVER VALVE, FM NPT X FM NPT (45 PSI)	9 LBS
1041-0000 MZ	4" BRASS LEVER VALVE, FM NPT X FM NPT (45 PSI)	15 LBS
1041-2000 MZ (NS)	4" BRASS LEVER VALVE, 4-BOLT FLANGE X NPT (45 PSI)	15 LBS
1060-0000 MZ	6" BRASS LEVER VALVE, FM NPT X FM NPT (22 PSI)	27 LBS
1060-2000 MZ (NS)	6" BRASS LEVER VALVE, 4-BOLT FLANGE X NPT (45 PSI)	27 LBS



DIMENSIONS					
0"	2"	3"	4"	6"	
0	1.9"	2.95"	3.7"	5.7"	
H	4.6"	6.7"	8.6"	12 ^{3/4} "	
h	3.2"	4.76"	6.2"	9.13"	
L	10.4"	12.6"	15.2"	21.8"	
F	3.15"	3.54"	4.02"	4.02"	



#	DESCRIPTION	PART#	PART#	PART#	PART#
		2" VALVE	3" VALVE	4" VALVE	6" VALVE
1	BODY	1039-0001 MZ	1040-0001 MZ	1041-0001 MZ	1060-0001 MZ
2	BRASS NUT	1039-0002 MZ	1040-0002 MZ	1041-0002 MZ	1041-0002 MZ
3	SCREW	1039-0003 MZ	1041-0003 MZ	1041-0003 MZ	1041-0003 MZ
4	NYLON BUSHINGS	1039-0004 MZ	1040-0004 MZ	1041-0004 MZ	1041-0004 MZ
5	HANDLE	1039-0005 MZ	1041-0005 MZ	1041-0005 MZ	1041-0005 MZ
6	PIN	1039-0006 MZ	1040-0006 MZ	1041-0006 MZ	1060-0006 MZ
7	GATE	1039-0009 MZ	1040-0009 MZ	1041-0009 MZ	1060-0009 MZ
8	INNER LEVER	1039-0010 MZ	1040-0010 MZ	1041-0010 MZ	1060-0010 MZ
9	TOP GASKET	1039-0011 MZ	1040-0011 MZ	1041-0011 MZ	1060-0011 MZ
10	HEAD	1039-0012 MZ	1040-0012 MZ	1041-0012 MZ	1060-0012 MZ
11	SCREW	1039-0013 MZ	1041-0013 MZ	1041-0013 MZ	1041-0013 MZ



www.chandlerequipment.com

Due to unforeseeable market fluctuations, prices are subject to change without notice.

