

2", 3" & 4" MZ PRIMARY SHUTOFFS



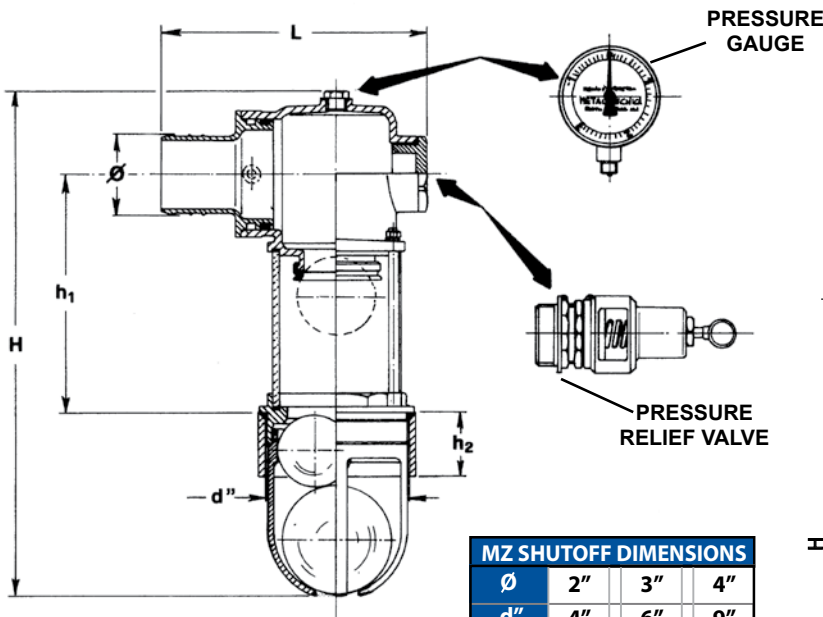
- **BRASS CONSTRUCTION WITH STEEL OR ALUMINUM WELD COLLAR**
- **DOUBLE BALL STOPS ALL BYPASS**
- **AVAILABLE IN 2", 3", & 4"**
- **ANTI-FOAMING**



CALL FOR PRICING

PART#	DESCRIPTION	WEIGHT
1162-0000 MZ	2" PRIMARY SHUTOFF , (282 CFM CAPACITY) , STEEL WELD COLLAR	11 LBS
1162-1000 MZ	2" ALUM PRIMARY SHUTOFF , (282 CFM CAPACITY) , ALUMINUM WELD COLLAR	11 LBS
1163-0000 MZ	3" MZ PRIMARY SHUTOFF , (282 CFM CAPACITY) , STEEL WELD COLLAR	19 LBS
1164-0000 MZ	4" MZ PRIMARY SHUTOFF , (423 CFM CAPACITY) , STEEL WELD COLLAR	32 LBS

2" & 3" PRIMARY SHUTOFF



MZ SHUTOFF DIMENSIONS			
Ø	2"	3"	4"
d"	4"	6"	9"
H	16"	19"	23"
h1	7"	8.5"	7"
h2	2"	2.5"	2.5"
L	8"	9.5"	4.5"
Lbs	11	19	32

4" PRIMARY SHUTOFF

