

RV360 VACUUM PUMP

NEW!

RV SERIES VACUUM PUMPS

FEATURES:

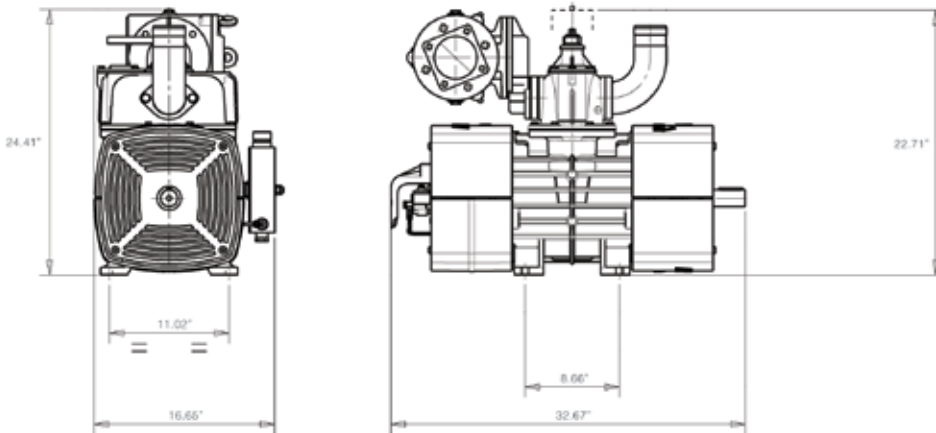
- 360 CFM @ FREE AIR
- 24" CONTINUOUS DUTY
- HI-EFFICIENCY DUAL FAN AIR COOLED
- AUTOMATIC LUBRICATION
- INDEPENDENT SIDE MOUNTED OIL TANK
- INTEGRATED 4-WAY VALVE MANIFOLD

Jurop
NORTH AMERICA



For filter assembly, add either:

CEI Filter 1007-1003
Jurop Filter 185219N7B0



RV360 SPECIFICATIONS

| | |
|---------------------------|-----------|
| RPM Range | 1200-1300 |
| Max Vacuum | 28" / 92% |
| CFM @ Free Air | 360 |
| CFM @ 18" | 332 |
| Max Intermittent Pressure | 30 PSI |
| Horsepower | 16 |
| Noise @ 18" | 76 dB |
| Oil Tank Capacity | 1 gallon |
| Net Weight | 430 lbs |
| Recommended Oil | ISO 150 |
| 40mm Smooth Shaft | |

www.chandlerequipment.com

Due to unforeseeable market fluctuations, prices are subject to change without notice.

