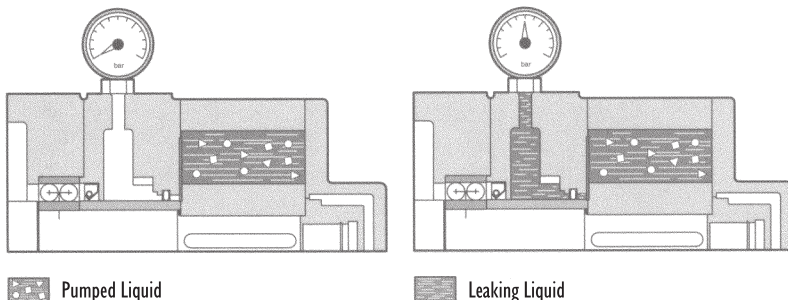


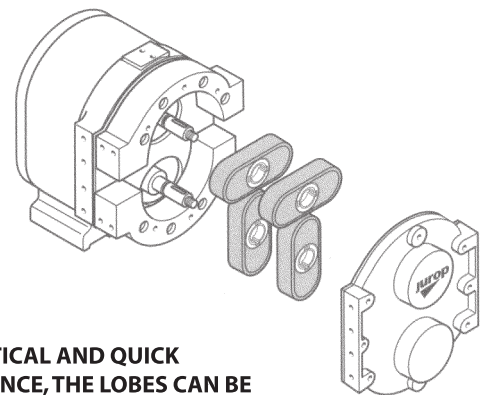
JUROP *VL SERIES* ROTARY LOBE TRANSFER PUMPS

PART#	DESCRIPTION	HP	PSI	GPM	RPM	WEIGHT
VL2	VL2 ROTARY LOBE PUMP W/NEOPRENE LOBES W/MANIFOLDS	5.5	72.5	53	1000	110LBS
VL2/V	VL2 ROTARY LOBE PUMP W/VITON TYPE LOBES	5.5		53	1000	110LBS
VL4	VL4 ROTARY LOBE PUMP W/NEOPRENE LOBES	6.9	43.5	106	1000	132LBS
VL4/V	VL4 ROTARY LOBE PUMP W/VITON TYPE LOBES	6.9	43.5	106	1000	132LBS
VL7	VL7 ROTARY LOBE PUMP W/NEOPRENE LOBES W/MANIFOLDS	10.5	72.5	185	540	214LBS
VL7/V	VL7 ROTARY LOBE PUMP W/VITON TYPE LOBES	10.5	72.5	185	540	214LBS
VL14	VL14 ROTARY LOBE PUMP W/NEOPRENE LOBES	27	72.5	370	540	232LBS
VL14/V	VL14 ROTARY LOBE PUMP W/VITON TYPE LOBES	27	72.5	370	540	232LBS
VL20	VL20 ROTARY LOBE PUMP W/NEOPRENE LOBES	34	72.5	528	540	262LBS
VL20/V	VL20 ROTARY LOBE PUMP W/VITON TYPE LOBES	34	72.5	528	540	262LBS
VL27	VL27 ROTARY LOBE PUMP W/NEOPRENE LOBES	46	72.5	713	540	322LBS
VL27/V	VL27 ROTARY LOBE PUMP W/VITON TYPE LOBES	46	72.0	713	540	322LBS
VL40	VL40 ROTARY LOBE PUMP W/NEOPRENE LOBES	57	43.5	1056	540	375LBS
VL40/V	VL40 ROTARY LOBE PUMP W/VITON TYPE LOBES	57	43.5	1056	540	375LBS
* PRICES INCLUDE MANIFOLD ASSEMBLY						

NOTE: VL2-VL14 ARE NORMALLY INVENTORIED..
 ALL OTHER MODELS MAY REQUIRE 90 TO 120 DAYS FOR DELIVERY.



A DRAINING PORT ALLOWS CONSTANT CHECKING OF CORRECT SEAL OPERATION



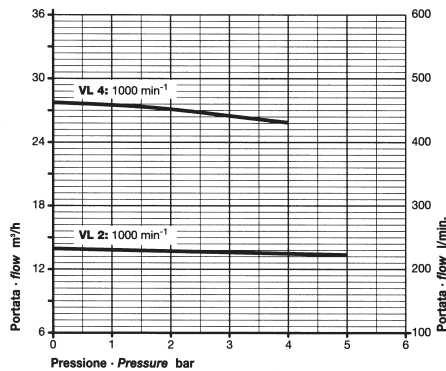
FOR PRACTICAL AND QUICK MAINTENANCE, THE LOBES CAN BE CHECKED AND REPLACED DIRECTLY FROM THE FRONT OF THE PUMP WITHOUT INTERFERING WITH THE SEALS OR THE TRANSMISSION.

JUROP VL2 & VL4 ROTARY LOBE TRANSFER PUMPS

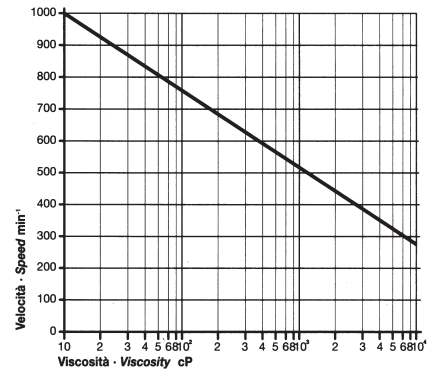
**AVAILABLE WITH
NEOPRENE OR
VITON LOBES**



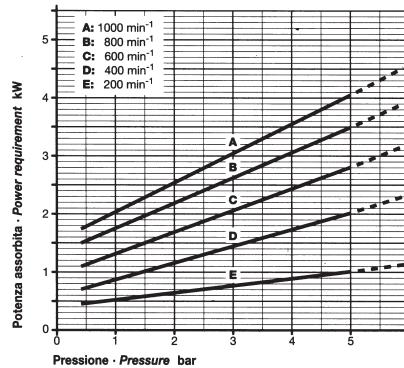
Portata/pressione • Flow rate/pressure VL2÷4



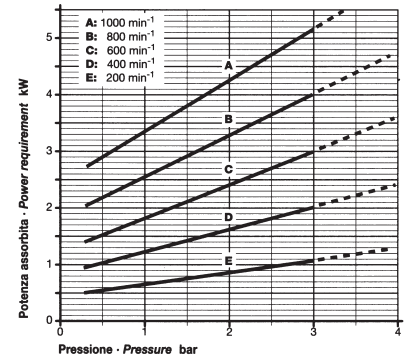
Velocità consigliata • Suggested speed



Potenza/pressione • Power/pressure VL2



Potenza/pressione • Power/pressure VL4



**SUGGESTED
LUBRICANTS**

- OIL**
ISO 320
Blasia 320
Energol GR-XP 320
Spartan EP 320
Mobilgear 632
Omala Oil 320
Reducteif SP320

- GREASE**
GRU MU EP2
Grease LTX2
Beacon 2
Esso GR Grease
Mobilplex 47
Alvania Grease R2
Super Grease R2
Rolexa 3

**PUMP
DIMENSIONS**

Measurements noted in parenthesis are unique to the VL4

