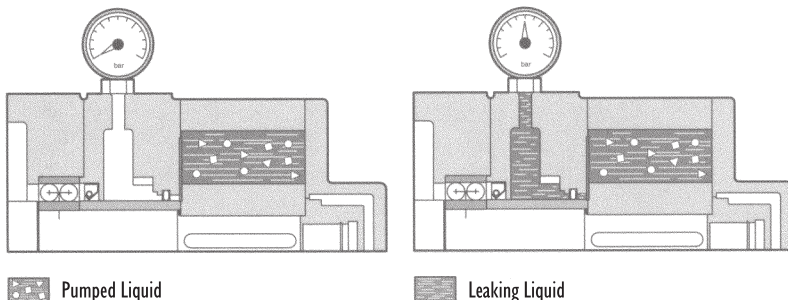


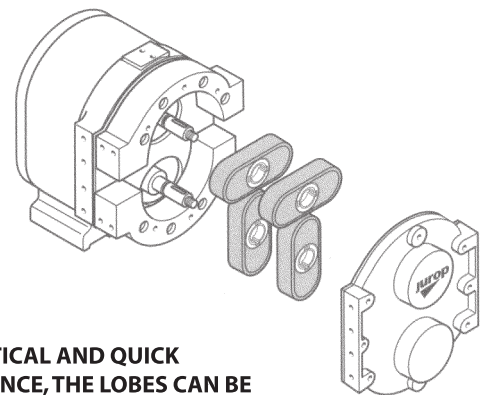
# JUROP *VL SERIES* ROTARY LOBE TRANSFER PUMPS

| PART#                                     | DESCRIPTION                                       | HP   | PSI  | GPM  | RPM  | WEIGHT |
|---|---|------|------|------|------|--------|
| VL2                                       | VL2 ROTARY LOBE PUMP W/NEOPRENE LOBES W/MANIFOLDS | 5.5  | 72.5 | 53   | 1000 | 110LBS |
| VL2/V                                     | VL2 ROTARY LOBE PUMP W/VITON TYPE LOBES           | 5.5  |      | 53   | 1000 | 110LBS |
| VL4                                       | VL4 ROTARY LOBE PUMP W/NEOPRENE LOBES             | 6.9  | 43.5 | 106  | 1000 | 132LBS |
| VL4/V                                     | VL4 ROTARY LOBE PUMP W/VITON TYPE LOBES           | 6.9  | 43.5 | 106  | 1000 | 132LBS |
| VL7                                       | VL7 ROTARY LOBE PUMP W/NEOPRENE LOBES W/MANIFOLDS | 10.5 | 72.5 | 185  | 540  | 214LBS |
| VL7/V                                     | VL7 ROTARY LOBE PUMP W/VITON TYPE LOBES           | 10.5 | 72.5 | 185  | 540  | 214LBS |
| VL14                                      | VL14 ROTARY LOBE PUMP W/NEOPRENE LOBES            | 27   | 72.5 | 370  | 540  | 232LBS |
| VL14/V                                    | VL14 ROTARY LOBE PUMP W/VITON TYPE LOBES          | 27   | 72.5 | 370  | 540  | 232LBS |
| VL20                                      | VL20 ROTARY LOBE PUMP W/NEOPRENE LOBES            | 34   | 72.5 | 528  | 540  | 262LBS |
| VL20/V                                    | VL20 ROTARY LOBE PUMP W/VITON TYPE LOBES          | 34   | 72.5 | 528  | 540  | 262LBS |
| VL27                                      | VL27 ROTARY LOBE PUMP W/NEOPRENE LOBES            | 46   | 72.5 | 713  | 540  | 322LBS |
| VL27/V                                    | VL27 ROTARY LOBE PUMP W/VITON TYPE LOBES          | 46   | 72.0 | 713  | 540  | 322LBS |
| VL40                                      | VL40 ROTARY LOBE PUMP W/NEOPRENE LOBES            | 57   | 43.5 | 1056 | 540  | 375LBS |
| VL40/V                                    | VL40 ROTARY LOBE PUMP W/VITON TYPE LOBES          | 57   | 43.5 | 1056 | 540  | 375LBS |
| <b>* PRICES INCLUDE MANIFOLD ASSEMBLY</b> |   |      |      |      |      |        |

**NOTE:** VL2-VL14 ARE NORMALLY INVENTORIED..  
 ALL OTHER MODELS MAY REQUIRE 90 TO 120 DAYS FOR DELIVERY.

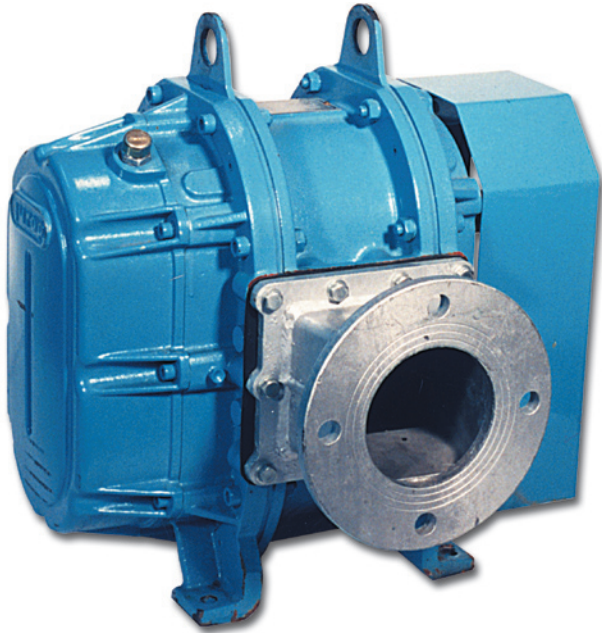


**A DRAINING PORT ALLOWS CONSTANT CHECKING OF CORRECT SEAL OPERATION**

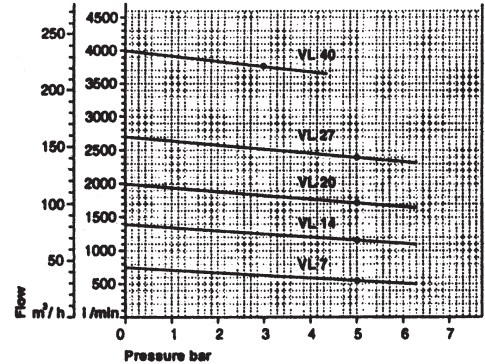
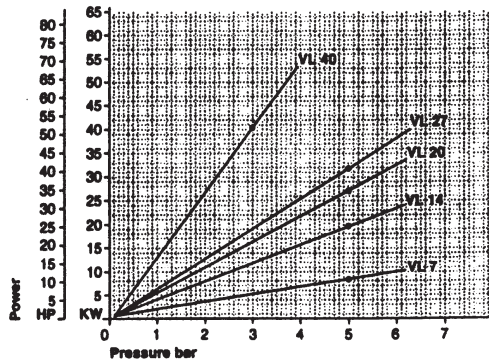


**FOR PRACTICAL AND QUICK MAINTENANCE, THE LOBES CAN BE CHECKED AND REPLACED DIRECTLY FROM THE FRONT OF THE PUMP WITHOUT INTERFERING WITH THE SEALS OR THE TRANSMISSION.**

# JUROP VL7, 14, 20, 27, & 40 ROTARY LOBE TRANSFER PUMPS



**AVAILABLE WITH  
NEOPRENE OR  
VITON LOBES**



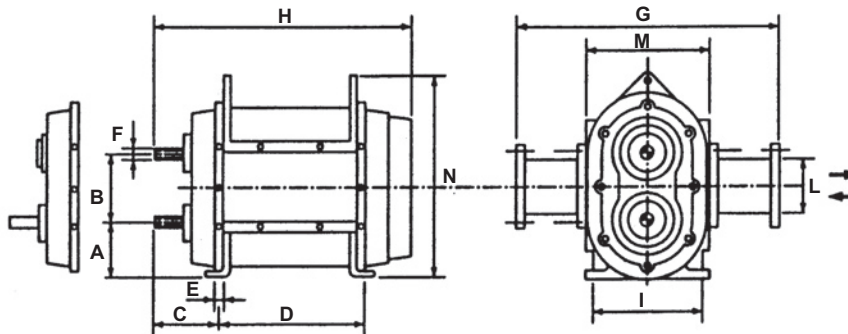
**SUGGESTED  
LUBRICANTS**

**OIL**

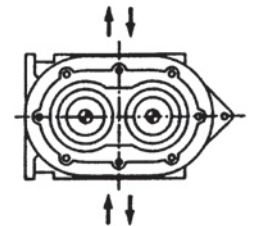
ISO 320  
Blasia 320  
Energol GR-XP 320  
Spartan EP 320  
Mobilgear 632  
Omala Oil 320

**GREASE**

ISO 280  
GRU MU EP2  
Grease LTX2  
Beacon 2 -  
Esso GR Grease  
Mobilplex 47  
Alvania Grease R2  
Super Grease R2



**PUMP  
DIMENSIONS**



Measurements noted in inches unless otherwise specified

| MODEL | A   | B   | C   | D    | E   | F                             | G    | H    | I | L    | M    | N    |
|-------|-----|-----|-----|------|-----|-------------------------------|------|------|---|------|------|------|
| VL7   | 5.3 | 5.5 | 5.3 | 6.2  | .04 | 1 <sup>3</sup> / <sub>8</sub> | 22.8 | 16.1 | 9 | 3.15 | 10.8 | 18.2 |
| VL14  | 5.3 | 5.5 | 5.3 | 8.8  | .04 | 1 <sup>3</sup> / <sub>8</sub> | 20   | 18.5 | 9 | 3.9  | 10.8 | 18.2 |
| VL20  | 5.3 | 5.5 | 5.3 | 11.4 | .04 | 1 <sup>3</sup> / <sub>8</sub> | 24   | 21   | 9 | 5.9  | 10.8 | 18.2 |
| VL27  | 5.3 | 5.5 | 5.3 | 14.4 | .04 | 1 <sup>3</sup> / <sub>8</sub> | 24   | 24.1 | 9 | 5.9  | 10.8 | 18.2 |
| VL40  | 5.3 | 5.5 | 5.3 | 19.6 | .04 | 1 <sup>3</sup> / <sub>8</sub> | 32.6 | 29.4 | 9 | 6.9  | 10.8 | 18.2 |